

PVI00594EN\_V01

## Bag-Out System Fitted with the Novi-Bag-Out liner

- Completely closed in- and out airlock systems for bags, small containers, contaminated clothing and waste products.
- Versatile use in the clean room (single or twin wall system), personnel airlock, isolator, glove box, etc.
- Bag-Out system equipped with the Novi-BagOut Liner
- Simple and safe one-handed operation
- Completely closed liner change thanks to the proven safe change system
- Bag-Out System, Novi-Liner and Sealing System from one source
- Ex-version according to ATEX available
- Available in two versions:
  - Bag-Out System: equipped with the Novi-Compact Liner with up to 110m film length
  - Bag-Out System Compact: equipped with the Novi-Bag Out Liner with up to 40m film length



### Function

The specially designed Bag-Out system from Novindustria was developed for simple, safe and closed entry and removal of bags, small containers, contaminated clothing and waste products. Installed in a cleanroom wall, a staff air lock, an isolator or a glove box, the snap closure with a hinged lid can be conveniently opened and closed by hand. For complete closed liner exchange, the liner holder is equipped with a proven SafeChange-System. Depending on the size, the Novi-Bag-Out Liner has a film length of up to 110m (Novi-Bag-Out Liner 40m / Novi-Compact Liner 110m)



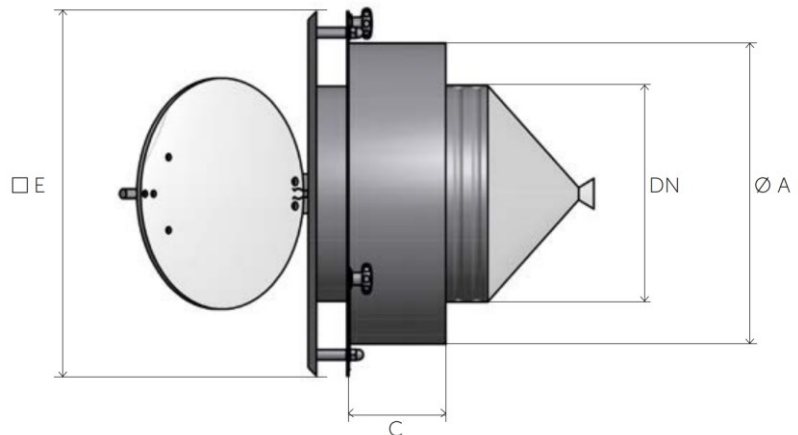
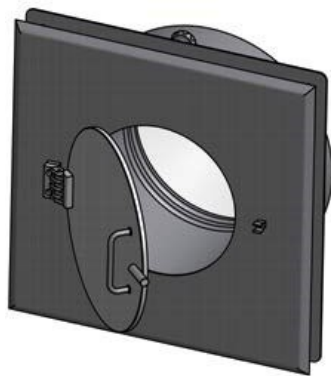
PVI00594EN\_V01

### Technical data

DN	Ø A [mm]	C [mm]	E [mm]	Material	Novi-Compact Liner / Novi-BagOut Liner		
					[Length/Thickness]	[Height]	[Material]
300	395	230	500	> AISI 304 / 304L (1.4301) > Deckel: POM-C weiss > Scharnier: Kunststoff > Schnellverschluss: Edelstahl	≈ 45m/25µm	≈ 130	> Polyethylene (PE) > not anti-static > non-FDA-compliant
350	495		600		≈ 85m/22µm		
400	595		700		≈ 110m /25µm		
350	495	290	600		≈ 40 m/60 µm	≈ 250	
500	645		750	≈ 30 m/75 µm			

Other sizes, materials, liners and ATEX zones available upon request

ATEX: Zone 2, 22, 21 (lid made of black PE-UHMW, electrically conductive < 106 Ω, with earthing)



### Process



Removing product



Close the liner



Cut the liner and dispose of the removed product

### Closure systems



Bandrapper



Cutting-Tool



cutting/welding scissors



Pneumatic clipper